

# CATALOG SECTION P73

## PARTS LIST

### Type W Marker Lights Color-Light Signals

FOR ASSEMBLIES, SEE CATALOG SEC. 73

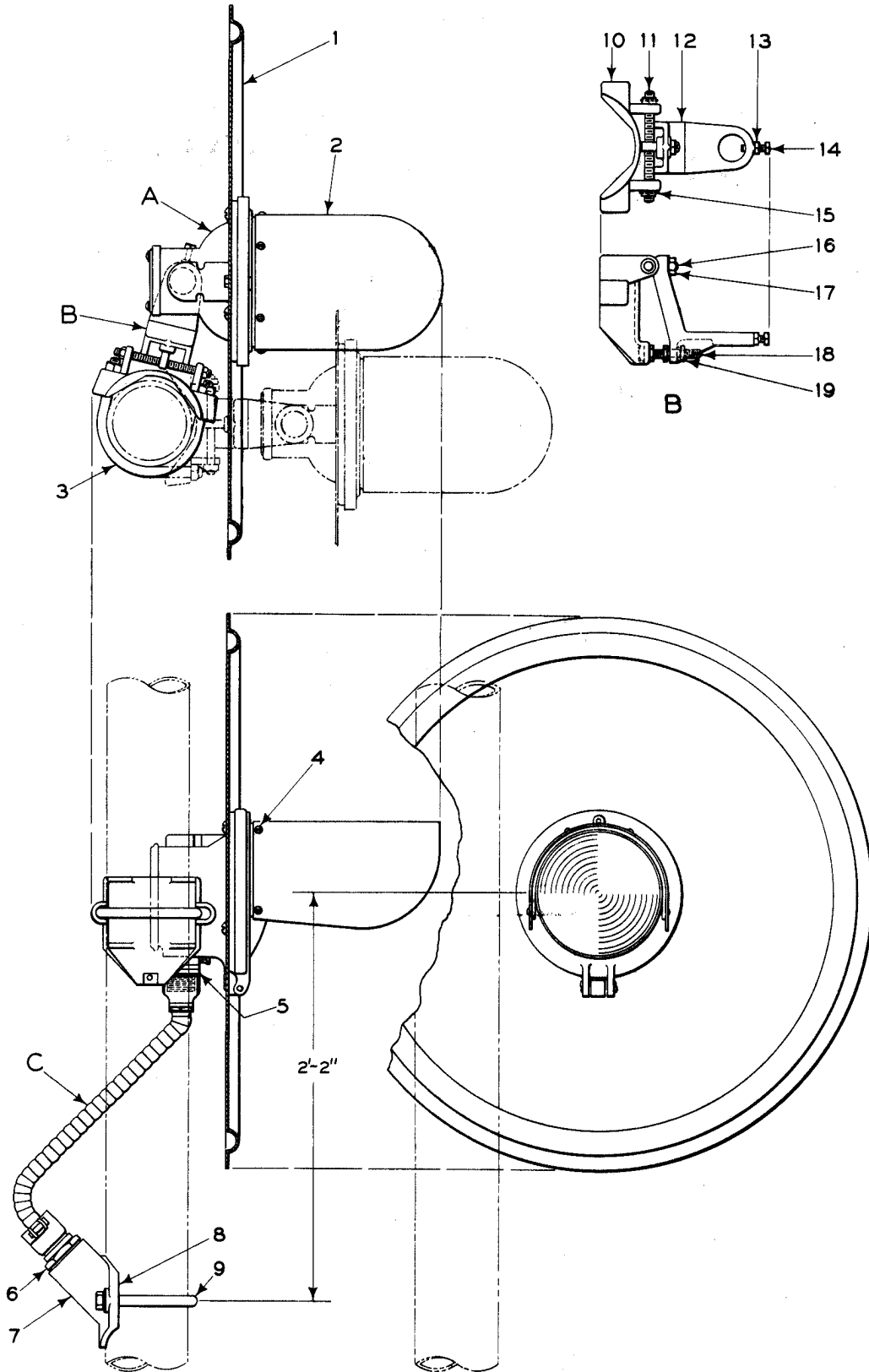
**GENERAL RAILWAY SIGNAL COMPANY**

A UNIT OF GENERAL SIGNAL CORPORATION

ROCHESTER NEW YORK 14602



PRINTED IN U.S.A.

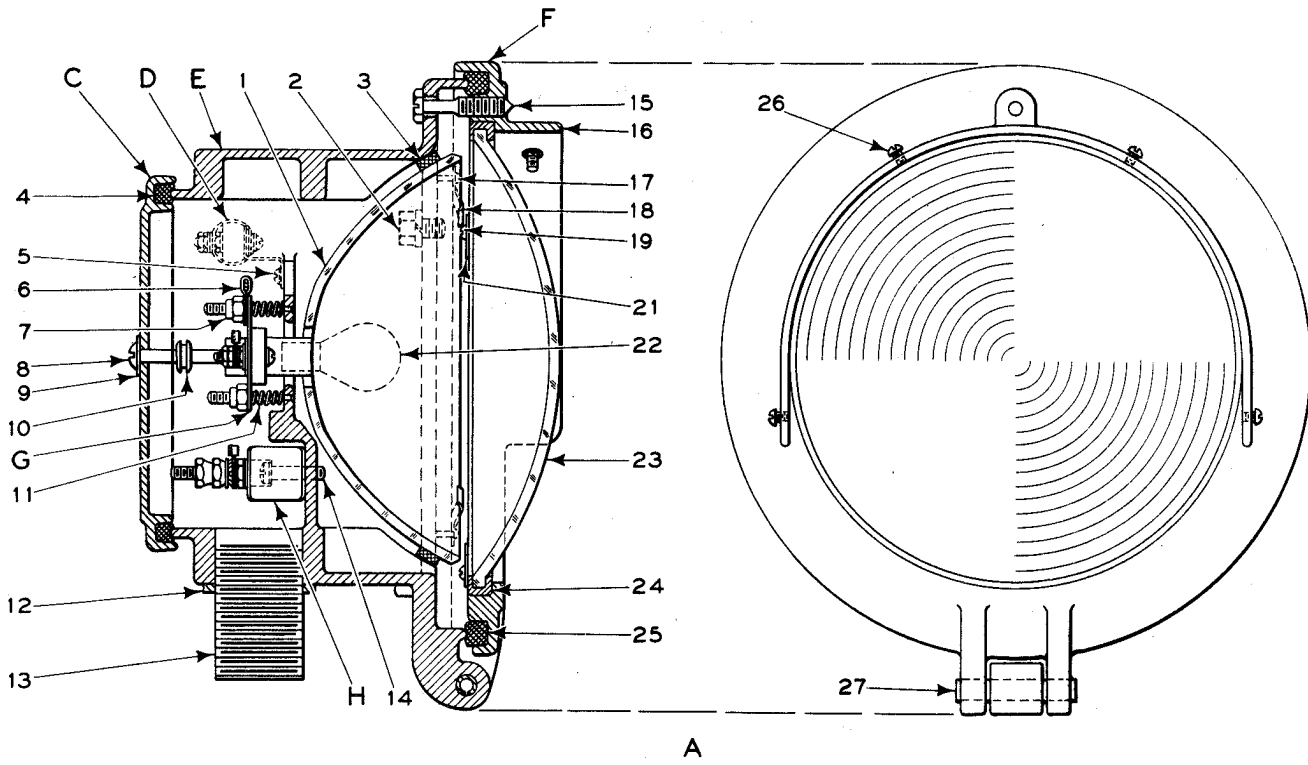


Type W marker light.

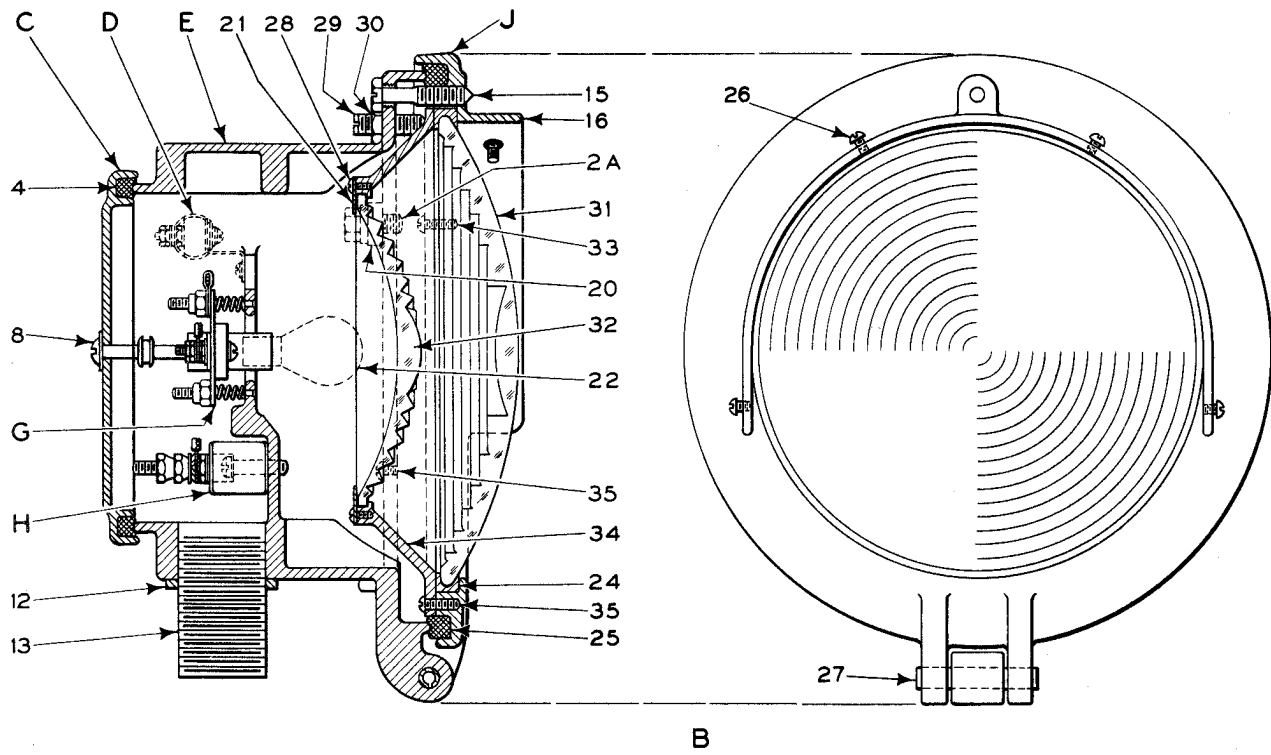
## Type W Marker Light Parts List

*Order by catalog number and name shown in bold type*

REF.	NAME	CATALOG NUMBER
A	LIGHT UNIT COMPLETE, for references see page 54 . . . . .	
B	CLAMP COMPLETE, for mounting to 5" diameter mast . . . . .	P73-330
C	CONDUIT COMPLETE, 3/4" flexible . . . . .	P73-233
1	BACKGROUND, 2'-11" diameter . . . . .	P73-293
1A	As above, except 2'-0" diameter . . . . .	P73-294
2	HOOD. . . . .	P73-287
3	U BOLT, for 5" diameter mast . . . . .	P76-289
3A	WASHER, for above . . . . .	P85-109
3B	NUT, for above. . . . .	P85-186
4	SCREW, for fastening hood to case . . . . .	P76-109
5	NUT, lock . . . . .	P73-273
6	REDUCER, 2" to 3/4" . . . . .	P76-332
7	COUPLING, for mast . . . . .	P76-365
8	GASKET, for coupling . . . . .	P76-277
9	U BOLT, for fastening coupling to 5" diameter mast . . . . .	P76-294
9A	WASHER, for above . . . . .	P76-201
9B	WASHER, lock, for above . . . . .	P81-104
9C	NUT, for above . . . . .	P85-204
10	CLAMP, only, for clamp Ref. B . . . . .	P73-335
11	STUD, for eyebolt Ref. 16 . . . . .	P73-116
12	ARM, only, for clamp . . . . .	P73-336
13	NUT, for screw Ref. 14 . . . . .	P85-413
14	SCREW, set, for locking signal unit to clamp . . . . .	P73-125
15	PIN, taper, for locking nut to stud . . . . .	P73-173
16	EYEBOLT, for stud . . . . .	P73-231
17	NUT, for eyebolt and stud Ref. 11. . . . .	P81-147
18	BOLT, for adjusting light unit . . . . .	P73-337
19	NUT, for bolt Ref. 18 . . . . .	P76-275



A



B

Type W light unit.

## Type W Light Unit Parts List

**To order, specify "Type W Light Unit" and give catalog number**

WITH REFLECTOR AND ROUND EL

REF.	ASPECT	CATALOG NUMBER	
		WITH 2-OHM, 1.75 AMP. RESISTOR	WITH 5-OHM, 1.0 AMP. RESISTOR
A	Red	P73-323	P73-322
A1	*Frosted	P73-325	P73-326

WITH DOUBLET LENS

B	Red	P73-328	P73-329
---	-----	---------	---------

\*For use with stencil "T" or "S"

**Order by catalog number and name shown in bold type**

REF.	NAME	CATALOG NUMBER
C	COVER COMPLETE, with gasket . . . . .	P73-333
D	RESISTANCE UNIT, 2 ohms, 1.75 amps . . . . .	P73-353
D1	As above, except, 5 ohms, 1.0 amp. . . . .	P73-352
E	CASE COMPLETE, includes studs for lamp receptacle, lock nut Ref. 12 and nipple Ref. 13 . . . . .	P73-334
F	RING COMPLETE, with 8-3/8" dia., red roundel . . . . .	P73-331
F1	As above, except with frosted roundel, for use with stencils. . . . .	P73-332
G	RECEPTACLE COMPLETE . . . . .	P73-311
H	TERMINAL BLOCK COMPLETE. . . . .	P73-261
J	LENS UNIT COMPLETE, with 5-1/2" dia., inner red lens and 8-3/8" dia., outer lens with 40 degree deflecting bullseye . . . . .	P73-212
1	REFLECTOR, only. . . . .	P76-146
2	SCREW, for fastening background to unit Ref. A . . . . .	P73-119
2A	As above, except for unit Ref. B . . . . .	P76-204
2B	WASHER, lock, for above . . . . .	P85-122
3	GASKET, for reflector . . . . .	P73-162
4	GASKET, 19-3/8" long, for cover. Specify number of feet. . . . .	P76-133
5	SCREW, for mounting resistance unit. . . . .	P85-234
5A	WASHER, lock, for above . . . . .	P62-402
6	CLIP, for receptacle. . . . .	P73-318
7	NUT, elastic stop, for receptacle. . . . .	P76-333

## Type W Light Unit Parts List

*Order by catalog number and name shown in bold type*

REF.	NAME	CATALOG NUMBER
8	SCREW, for cover . . . . .	P73-170
9	WASHER, for screw Ref. 8 . . . . .	P85-50
10	GROMMET, for screw Ref. 8 . . . . .	P73-349
11	SPRING, for receptacle . . . . .	P73-114
12	NUT, lock, for nipple . . . . .	P73-183
13	NIPPLE, for mounting marker light. . . . .	P73-274
14	SCREW, for mounting terminal block . . . . .	P62-220
14A	WASHER, lock, for above . . . . .	P62-401
15	SCREW, for fastening door to case . . . . .	P73-339
16	RING, door . . . . .	P73-338
17	SCREW, for clip Ref. 18. . . . .	P85-234
17A	WASHER, lock, for above . . . . .	P62-334
18	CLIP, for reflector . . . . .	P73-175
19	SCREW, for clip Ref. 21. . . . .	P73-135
20	SPACER, for screws Ref. 2A. . . . .	P73-201
21	CLIP, for fastening inner lens in place . . . . .	P73-174
22	LAMP, incandescent, see Section 46, for ordering information . . . . .	
23	ROUNDEL, red, 8-3/8" dia . . . . .	P73-271
23A	As above, except frosted . . . . .	P73-272
24	GASKET, for outer lens and roundel . . . . .	P73-160
25	GASKET, 2'-7" long, for door. Specify number feet. . . . .	P76-132
26	SCREW, for fastening hood to door ring. . . . .	P85-238
27	PIN, roll, hinge for door . . . . .	P50-159
28	SCREW, for clip . . . . .	P65-198
29	SCREW, stop, for lens unit . . . . .	P73-237
30	NUT, for stop screw. . . . .	P85-413
31	LENS, outer, 8-3/8" dia., clear, 4" focus, with 40 degree deflecting bullseye . . . . .	P73-253
32	LENS, inner, 5-1/2" dia., red, 1/2" focus. . . . .	P73-256
33	SCREW, for outer ring . . . . .	P73-137
34	RING, inner bezel . . . . .	P73-241
35	SCREW, for inner ring. . . . .	P73-135